

Features

Dual Contact Relay IAM (Individual Addressable Module):

- A single addressable point provides control and status tracking of two, 2 A Form “C” contacts
- Low power latching relay design allows IDNet or MAPNET II communications to supply both data and module power
- Relay is set to OFF on initial power up and upon loss of IDNet or MAPNET II communications

For use with following Simplex control panels:

- Model Series 4100ES, 4010ES, and 4100U fire alarm control panels for IDNet communications
- Model Series 4100/4100U/4100ES, 4120, 4020, and 2120 Communicating Device Transponders (CDTs) equipped with MAPNET II communications

Compact construction:

- Mounts in standard 4” (102 mm) square electrical box
- Screw terminals for wiring connections
- Visible LED flashes to indicate communications, can be selected at panel to indicate activated state
- Optional 4” square box covers are available to allow LED to be viewed after installation

Description

Dual Contact Relay IAMs allow fire alarm control panels to control two remotely located Form “C” contact using IDNet or MAPNET II addressable communications for both data and module power. Typical applications would be for switching local power for control functions such as elevator capture, or control of HVAC components, pressurisation fans, dampers, etc. Relay status is also communicated requiring only one device address.

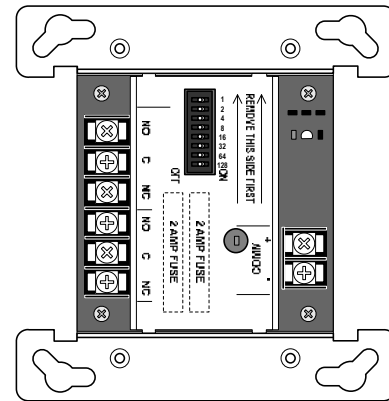
Product Selection

Model	Description
4090-9008	Dual Contact Relay IAM

Optional Adapter Plates

Model	Description
4090-9802	Optional trim plate
RACO232	For surface mounted box

* This product has been approved by the California State Fire Marshal (CSFM) pursuant to Section 13144.1 of the California Health and Safety Code. See CSFM Listing 7300-0026:0311 for allowable values and/or conditions concerning material presented in this document. Additional listings may be applicable; contact your local Simplex product supplier for the latest status. Listings and approvals under Simplex Time Recorder Co. are the property of Tyco Safety Products.

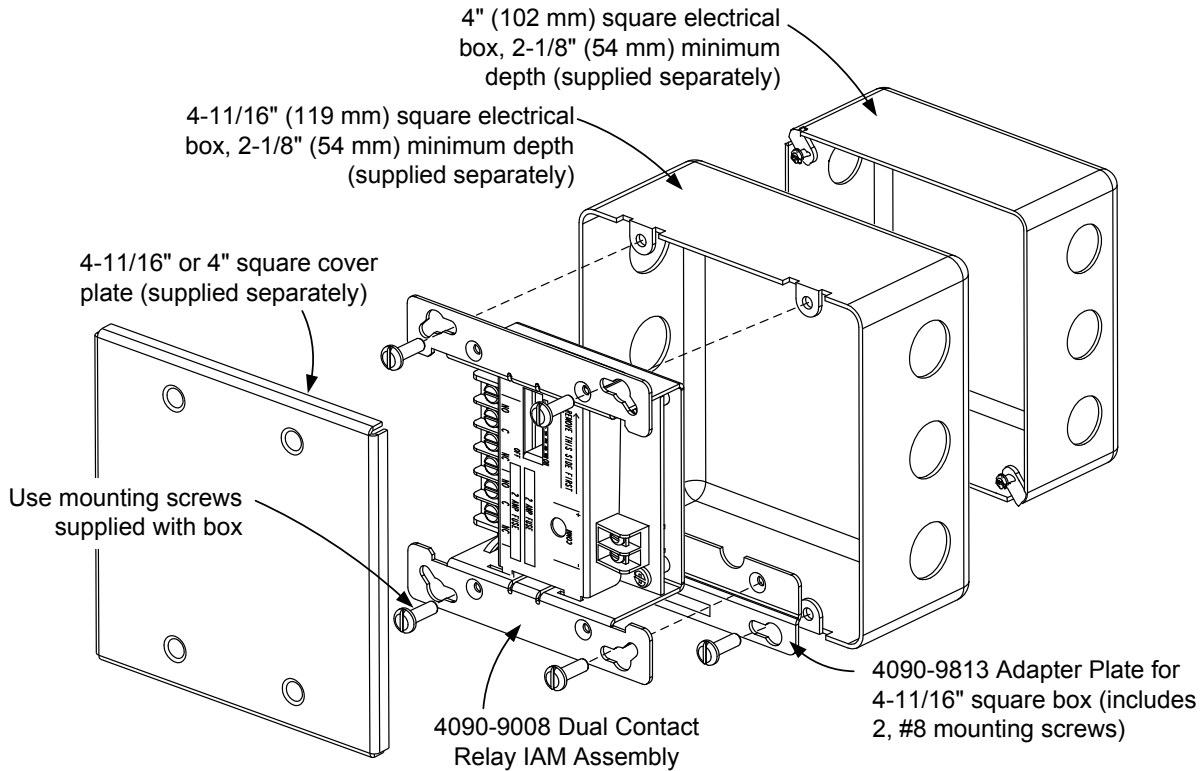


4090-9008 Dual Contact Relay IAM
(shown approximately 1/2 size)

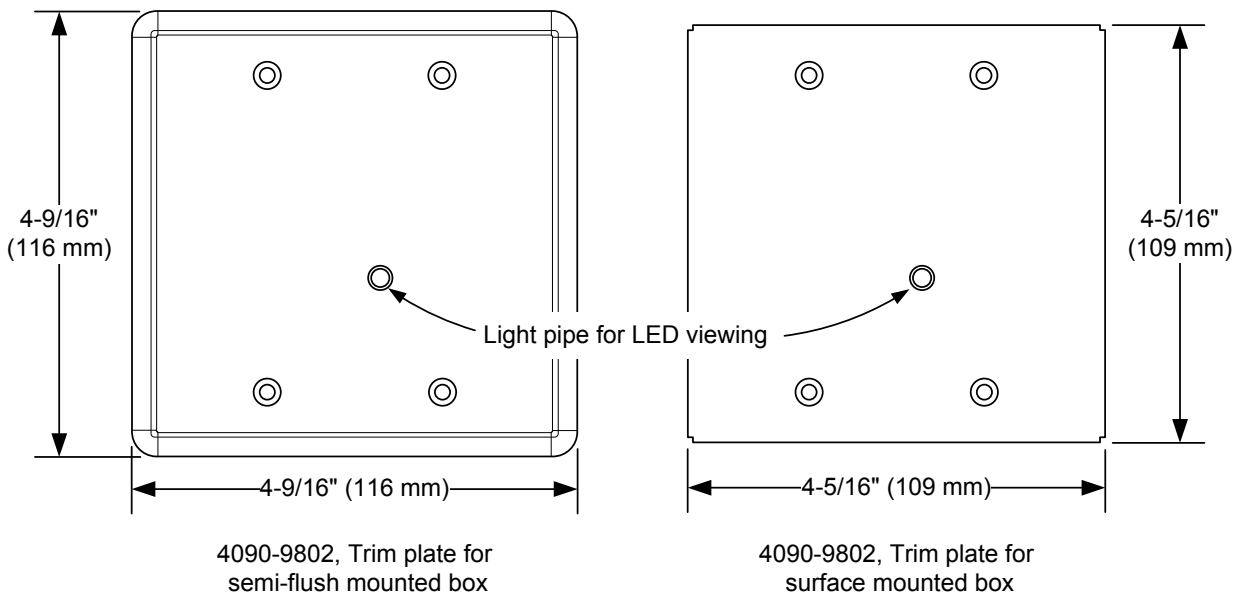
Specifications

Communications	IDNet or MAPNET II communications, 1 address per device	
Power	Supplied by communications	
Installation Instructions	579-1040	
IDNet Firmware	Requires 3.12.04 or higher	
Contact Ratings* (not rated for incandescent switching)		
Type	Dual Form C contacts (DPDT) with terminal block access to Common, N.O., and N.C for each contact	
Power-Limited	2 A @ 30 VDC, resistive	from listed fire alarm supply
	1 A @ 30 VDC, inductive	
Relay Fusing	Each contact common is fused with a 2 A fast acting non-time delay fuse	
* Provide external transient suppression as required per application. DC inductive loads can typically be diode suppressed. Refer to Installation Instructions for additional information.		
Wire Connections	Screw terminals for in/out wiring, 18 to 14 AWG wire (0.82 to 2.08 mm ²)	
IDNet or MAPNET II Communications Wiring Reference	Up to 2500 ft (762 m) from control panel	
	Up to 10,000 ft (3048 m) total wiring distance (including T-Taps) Compatible with Simplex 2081-9044 Overvoltage Protectors	
Dimensions	4 1/8" H x 4" W x 1 3/8" D (105 mm x 102 mm x 35 mm)	
Mounting Plate	Sheet metal, galvanized	
Temperature Range	32° to 120° F (0° to 49° C), intended for indoor operation	
Humidity Range	Up to 93% RH at 100° F (38° C)	

Dual Contact Relay IAM Mounting Information



Mounting Reference with 4-11/16" Square and 4" Square Boxes



Optional Trim Plates for 4" Square Boxes with Visible LED

Tyco is a registered trademark of Tyco International Services GmbH and is used under license. Simplex, the Simplex logo, and IDNet are trademarks of Tyco International Ltd. and its affiliates and are used under license.



Tyco Fire Protection Products • Tel: +61 3 9313 9700 • Email: tfpcustservice.au@tycofp.com
www.simplex-fire.com

S4090-0014-AU 5/2014

© 2014 Tyco Fire Protection Products. All rights reserved. All specifications and other information shown were current as of document revision date and are subject to change without notice.